

# SPEC- THERMAL™

INSULATED MASONRY

A Family of Pre-Insulated Masonry Wall Systems, offering design flexibility and cost-effective high performance.

Capable of meeting IECC R-Value or U-Factor Thresholds in all Climate Zones

Options for both Full and Partial Grout Reinforcement Designs.

Wall Systems Provide the Enhanced Moisture Protection of a Barrier Wall

Available in a Wide Variety of Colors and Finishes - Including Half High Blended Colors for Brick Aesthetics.

Meets Code Requirements - Continuous Insulation is Not Required due to U-Factor Compliance Method.



Wide Variety of Textures and Colors

## Korfil Hi-R® Korfil Hi-R H Spec-Brik® Hi-R



Korfil Hi-R H



SPEC-BRIK® Hi-R



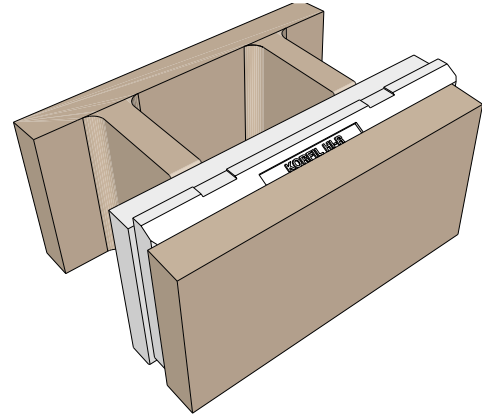
Korfil Hi-R®

## High Performance Pre-Insulated Masonry Walls

The *Hi-R* and *Hi-R H* product lines offer superior thermal performance while delivering the many aesthetic, durability and resilience benefits of concrete masonry. With these systems, the insulation inserts are placed as integral insulation during manufacturing to provide a wall system with predictable and consistent thermal properties while protecting the insulation from damage by placing it within the double-exposed masonry surfaces.

### Korfil Hi-R®

**Korfil Hi-R®** is a proven solution for the construction of energy efficient structures with a track record of several decades of successful performance. The insulation inserts and reduced web profiles provide Hi-R with significant advantages over conventional masonry, while offering the durability, simplicity and aesthetic appeal of double exposed masonry. Korfil Hi-R provides designers with the flexibility to meet demanding energy Codes with proven performance.

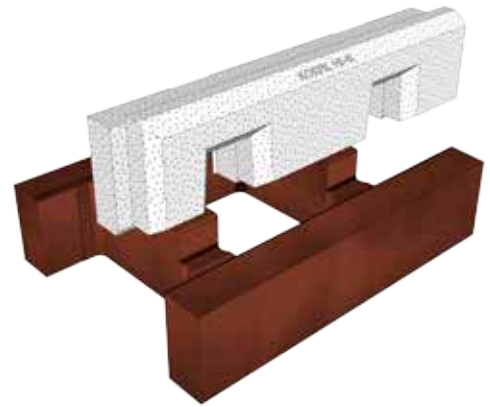


KORFIL HI-R (8" High) Masonry Units (Grouted)						
Type of Block (inches)	Density of Block (pcf)					
	85	95	105	115	125	135
<b>8x8x16</b>						
R <sub>t</sub> Value	10.98	10.00	9.07	8.18	7.36	6.59
U Factor	0.09	0.10	0.11	0.12	0.14	0.15
Heat Capacity	11.10	11.60	12.00	12.40	12.90	13.30
Equivalent Thickness	5.60	5.60	5.60	5.60	5.60	5.60
<b>10x8x16</b>						
R <sub>t</sub> Value	12.85	11.82	10.82	9.85	8.94	8.08
U Factor	0.08	0.08	0.09	0.10	0.11	0.12
Heat Capacity	15.20	15.80	16.30	16.90	17.50	18.00
Equivalent Thickness	7.60	7.60	7.60	7.60	7.60	7.60
<b>12x8x16</b>						
R <sub>t</sub> Value	13.63	12.58	11.56	10.57	9.62	8.72
U Factor	0.07	0.08	0.08	0.09	0.10	0.11
Heat Capacity	19.50	20.10	20.80	21.50	22.10	22.80
Equivalent Thickness	9.60	9.60	9.60	9.60	9.60	9.60

Please visit [www.concreteproductsgroup.com](http://www.concreteproductsgroup.com) for design and construction resources including CAD details, design and construction videos, and structural design guidance

## SPEC-BRIK Hi-R™

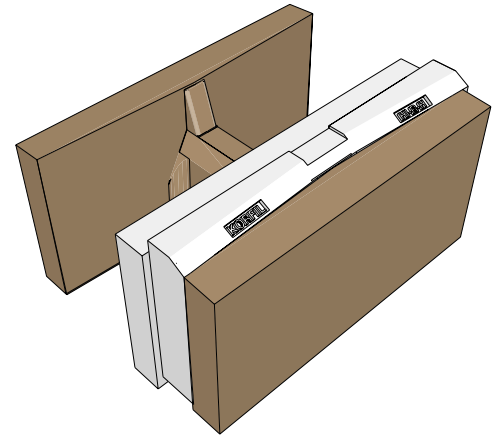
The **SPEC-BRIK Hi-R Wall System** adds SPEC-BRIK color blends to half high Hi-R units with individually molded insulation inserts. This allows the construction of walls that offer the look of brick and provide superior thermal performance to assist in meeting prevailing Codes and Standards. The **SPEC-BRIK Hi-R** Masonry Unit has been designed to provide reduced thermal bridging. The assembly provides a wall system capable of achieving higher thermal R-values than conventional masonry, while providing full Code-compliant load resistance. SPEC-BRIK Hi-R units may be used in both fully and partially grouted wall assemblies with no need to remove the insulation inserts for uncompromised thermal performance.



Spec-Brik Hi-R Masonry Units (Grouted)						
Type of Block (inches)	Density of Block (pcf)					
	85	95	105	115	125	135
12x4x16						
R <sub>t</sub> Value	13.63	12.58	11.56	10.57	9.62	8.72
U Factor	0.07	0.08	0.08	0.09	0.10	0.11
Heat Capacity	19.50	20.10	20.80	21.50	22.10	22.80
Equivalent Thickness	9.60	9.60	9.60	9.60	9.60	9.60

## Korfil Hi-R H®

The **Hi-R H Wall System** is a fully grouted/reinforced high performance pre-insulated wall system intended for the most demanding climates and structural requirements. The **Hi-R H** Masonry Unit has been designed to provide reduced thermal bridging, even compared to other Hi-R designs, by using only a single web and a thicker insulation insert. The assembly provides a wall system capable of achieving higher thermal R-values than conventional masonry, while providing full Code-based load resistance.



Hi-R H Masonry Units (Grouted)						
Type of Block (inches)	Density of Block (pcf)					
	85	95	105	115	125	135
10x8x16						
R <sub>t</sub> Value	16.41	15.11	13.70	12.57	11.37	10.17
U Factor	0.06	0.07	0.07	0.08	0.09	0.10
Heat Capacity	15.20	15.80	16.30	16.90	17.50	18.00
Equivalent Thickness	7.60	7.60	7.60	7.60	7.60	7.60
12x8x16						
R <sub>t</sub> Value	17.62	16.32	14.98	13.74	12.50	11.25
U Factor	0.06	0.06	0.07	0.07	0.08	0.09
Heat Capacity	19.50	20.10	20.80	21.50	22.10	22.80
Equivalent Thickness	9.60	9.60	9.60	9.60	9.60	9.60

**Availability Note:** 10" Hi-R H units are manufactured only in certain regions. Please check with your local CPG member regarding availability of that unit in your region. 12" units are generally available.

# Nationwide Availability

The Concrete Products Group LLC (CPG) consists of regional market leaders in the concrete products industry. The CPG is organized to provide consistent, top-quality products to regional and national customers.

800-789-0872

**A-1 BLOCK**  
1617 South Division Avenue  
Orlando, FL 32805

**A. JANDRIS & SONS**  
202 High St.  
Gardner, MA 01440

**ALLIED CONCRETE PRODUCTS LLC**  
3900 Shannon St.  
Chesapeake, VA 23323-1054

**AMCON BLOCK**  
P.O. Box 546  
2211 Hwy 10 South  
St. Cloud, MN 56302-0546

**BARNES & CONE**  
P.O. Box 280  
5894 Court St. Rd.  
Syracuse, NY 13206-0280

**BASALITE CONCRETE PRODUCTS LLC**  
605 Industrial Way  
Dixon, CA 95620

**BLOCK USA**  
P.O. Box 100813  
2570 Ruffner Rd.  
Birmingham, AL 35210

**FIZZANO BROTHERS CONCRETE PRODUCTS, INC.**  
1776 Chester Pike  
Crum Lynne, PA  
19022-1299

**HEADWATERS CONSTRUCTION MATERIALS**  
7620 Washington Ave.  
Houston, TX  
77007

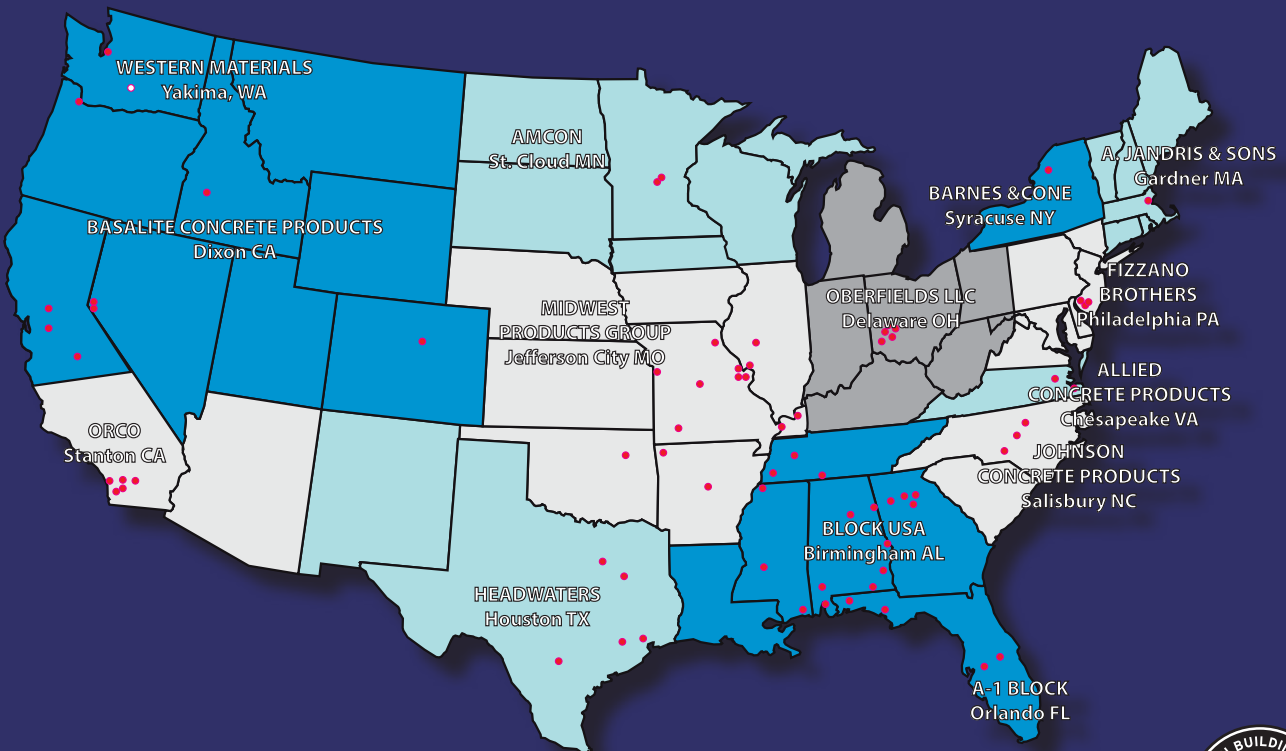
**JOHNSON CONCRETE COMPANY**  
217 Klumac Road  
Salisbury, NC 28144

**MIDWEST PRODUCTS GROUP**  
12901 St. Charles Rock Rd.  
Bridgeton, MO  
63044-2485

**OBERFIELDS, LLC**  
P.O. Box 362  
528 London Rd.  
Delaware, OH 43015

**ORCO BLOCK CO., INC.**  
11100 Beach Blvd.  
Stanton, CA  
90680-0129

**WESTERN MATERIALS COMPANY**  
1202 South First Street  
Yakima, WA 98901



Manufacturing Locations



# CONCRETE PRODUCTS GROUP

INNOVATIVE CONCRETE MASONRY SYSTEMS

[www.concreteproductsgroup.com](http://www.concreteproductsgroup.com)