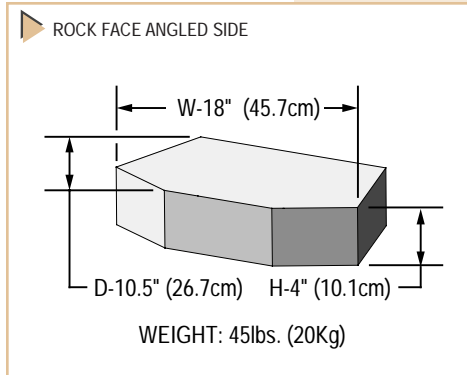
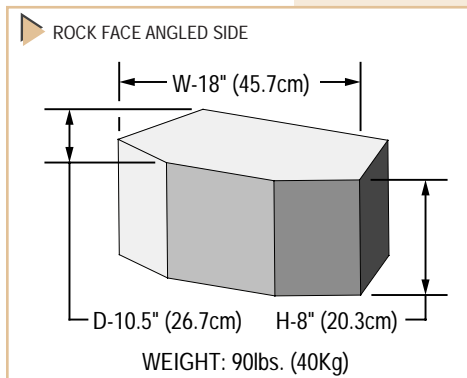
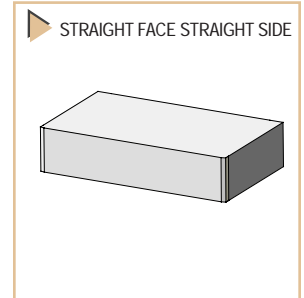
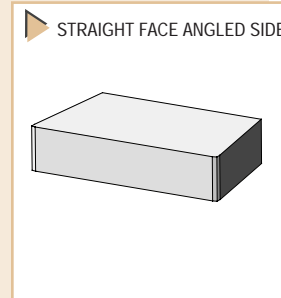
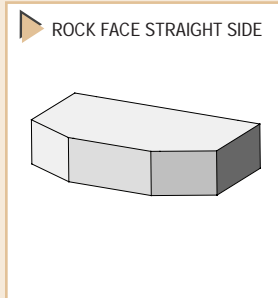


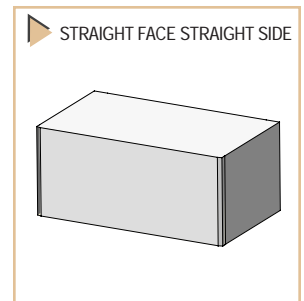
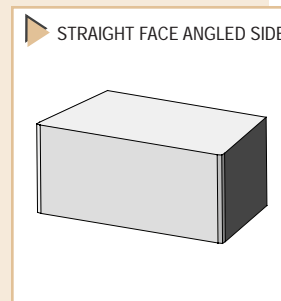
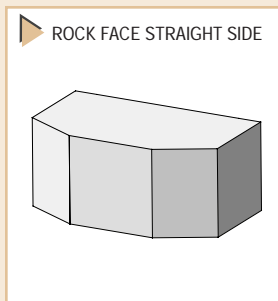
A Keystone® Retaining Wall is not complete without the “capping touch”. The two primary wall units, the Standard and Compac Units, both have open voids, making them an unsuitable finish to the top of the wall. In some situations this may be acceptable. In most cases, a more attractive finish is required. Once again Keystone® provides a simple solution, the family of Keystone® Cap Units; the Mini Cap (4”H)(100mm) and Compac Cap (8”H)(200mm). Each unit is available in various combinations of facial finish and degree of angled sides*. The following information will clearly explain the uses of these units in a variety of finishing techniques.



▷ MINI CAP UNITS



▷ COMPAC CAP UNITS



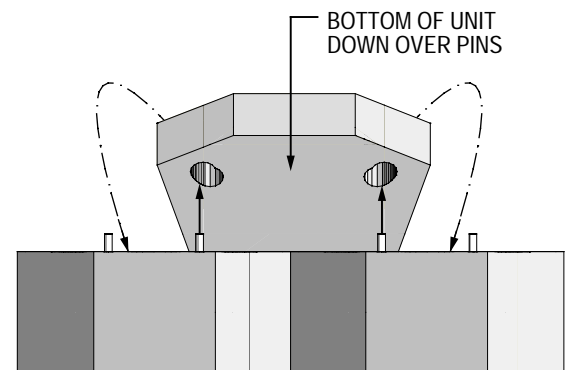
* Check with local manufacturers for product availability.

NOTE: Capping is not required to guarantee structural stability. It's only an aesthetic adornment.

Like other Keystone® units, all cap units can be used interchangeably. Depending on the wall contour, some cap units will work more effectively than others (i.e. angled side units for concave curves). In any given installation, if binding occurs between units, the units can be modified to fit using a concrete saw, chisel or other device.

Installation of the cap units is a simple one step operation. Keystone® cap units have a solid finished top. The bottoms of these units retain the kidney shaped receiving holes used for pin/unit interlock (Figure 1.1). With the fiberglass pins of the last Keystone® course in place, lower the cap unit over the protruding pins. Once in position, slide the unit forward to align and lock in position.

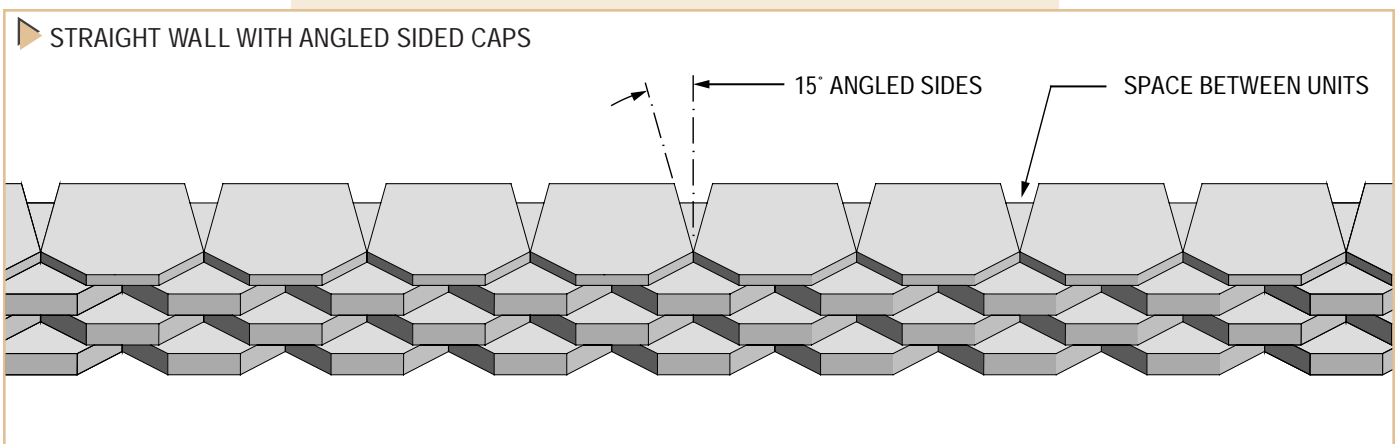
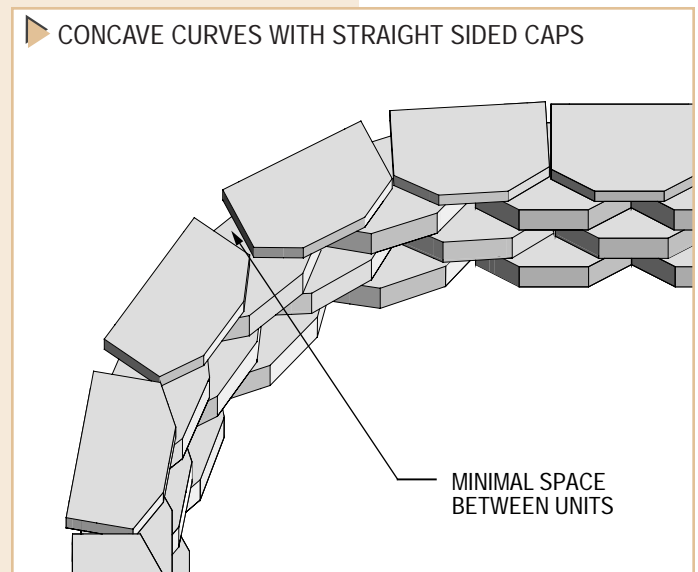
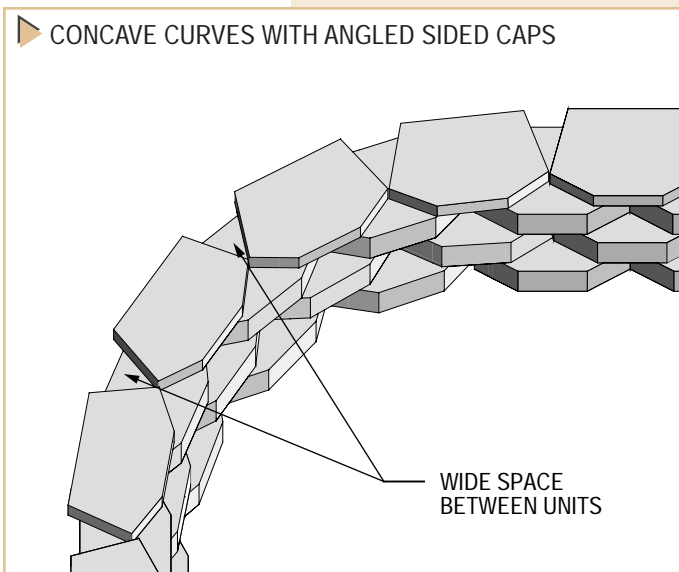
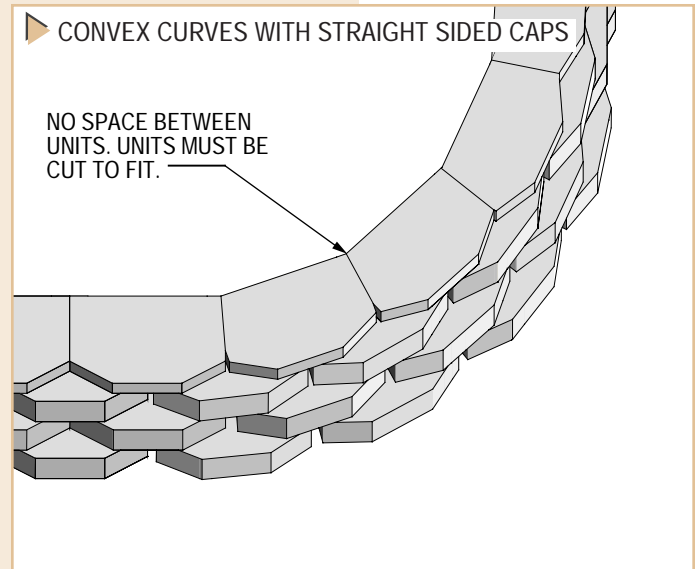
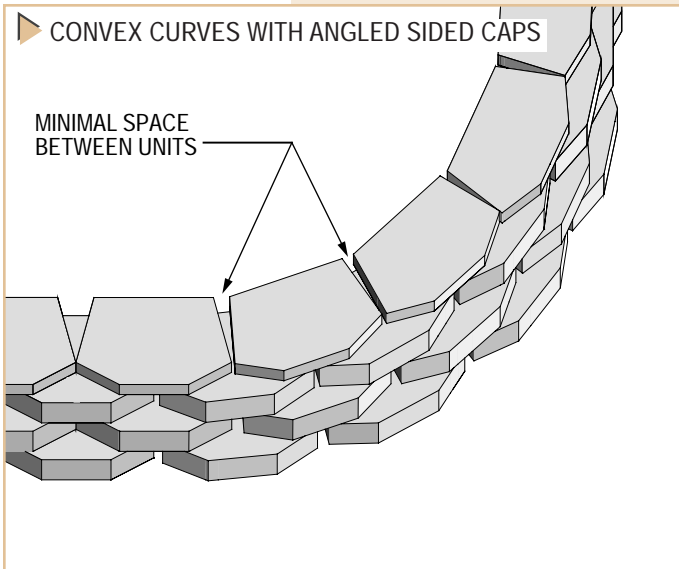
▷ FIGURE 1.1



The following illustrations demonstrate the most common uses of the Keystone® cap units.

TOP OF WALL FINISHES

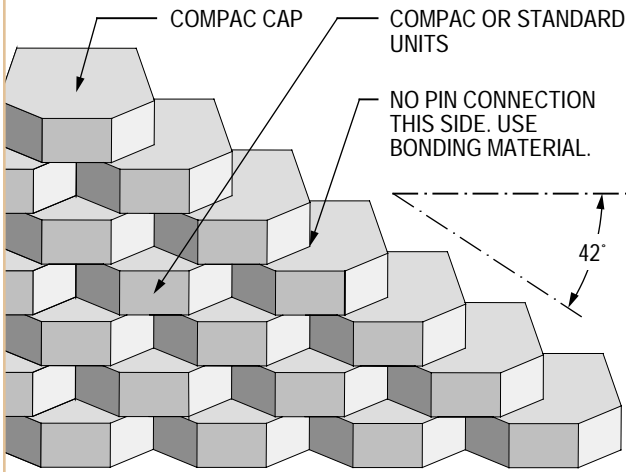
▶ WALL CAP USING KEYSTONE UNITS



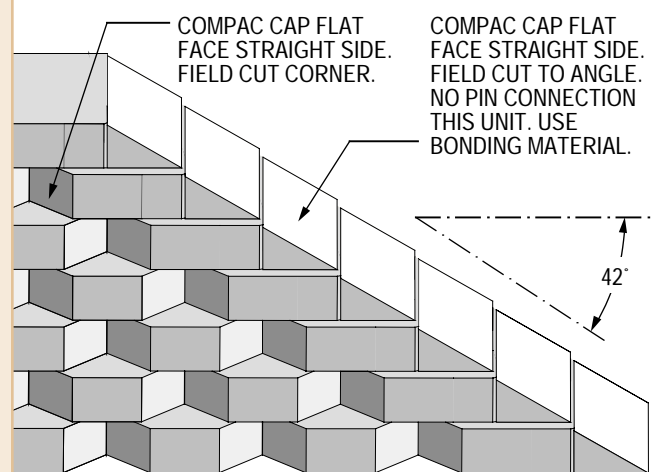
TOP OF WALL FINISHES

▶ WALL CAP USING KEYSTONE UNITS

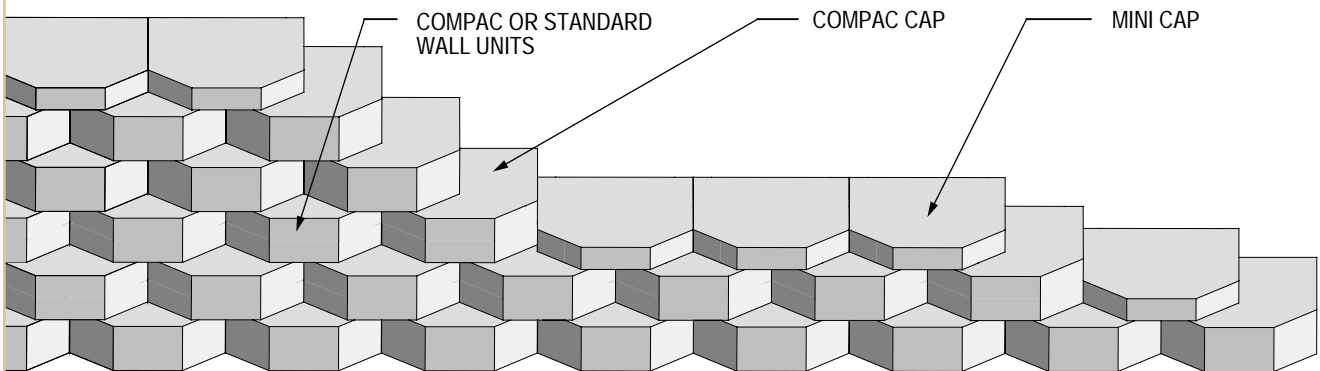
▶ 42° SLOPE WITH COMPAC CAPS



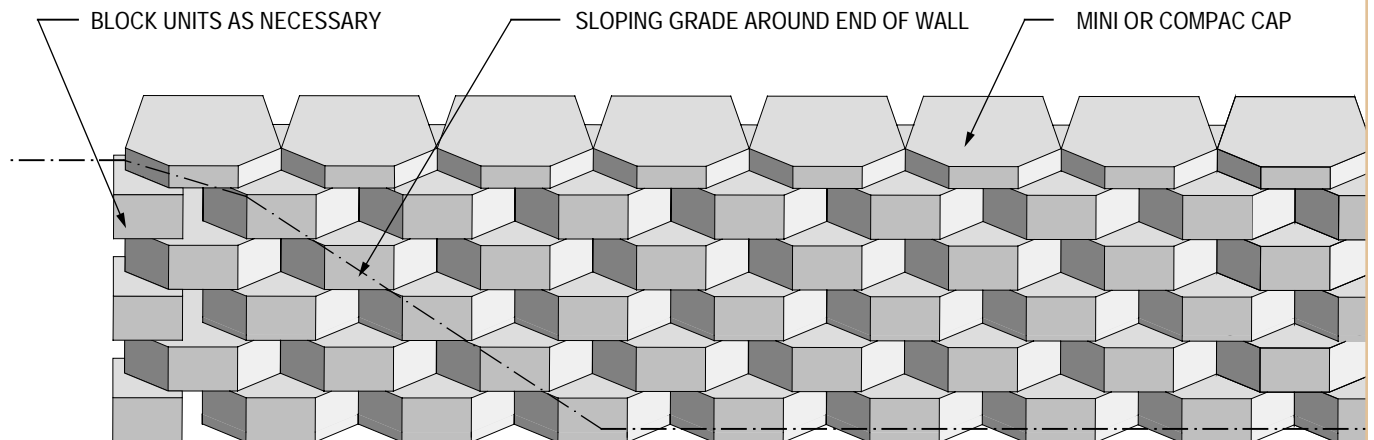
▶ 42° SLOPE WITH MODIFIED CAP UNITS



▶ RANDOM STEPS WITH MINI & COMPAC STRAIGHT SIDED CAP



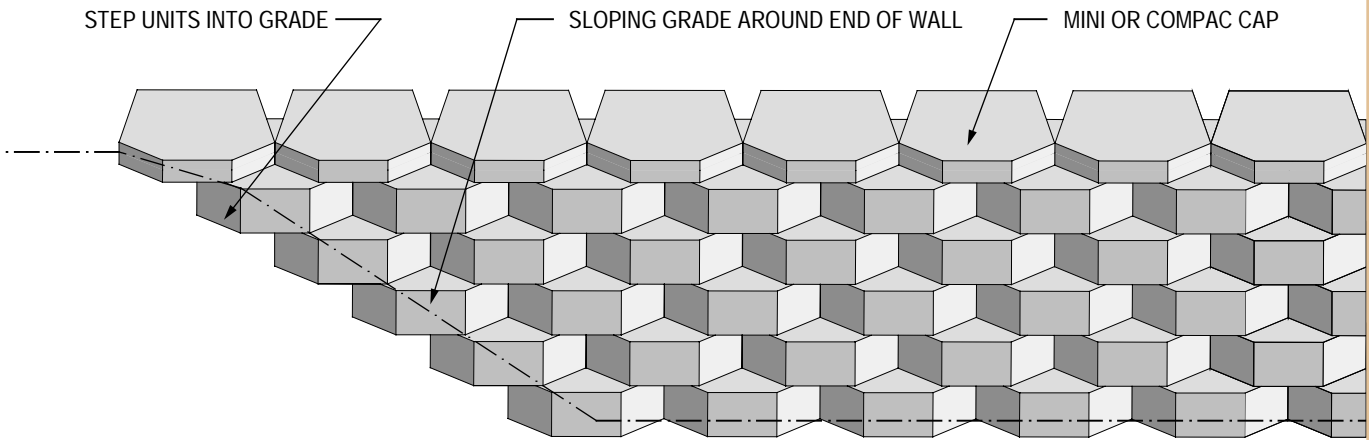
▶ SQUARED END OF WALL WITH SOIL WRAP AROUND FACE



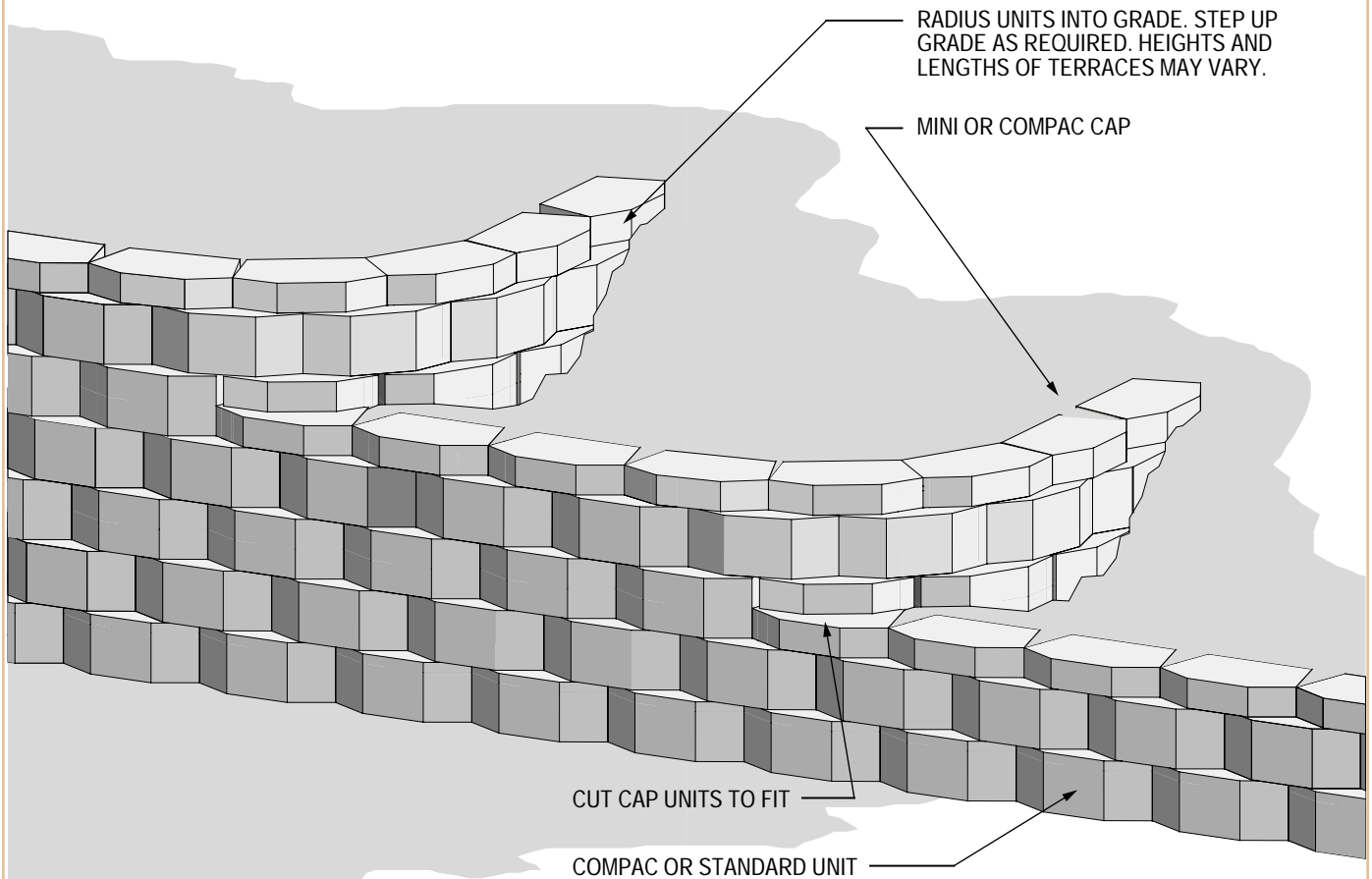
TOP OF WALL FINISHES

▶ WALL CAP USING KEYSTONE UNITS

▶ 42° SLOPE WITH COMPAC UNITS



▶ TERRACING WALL INTO GRADE

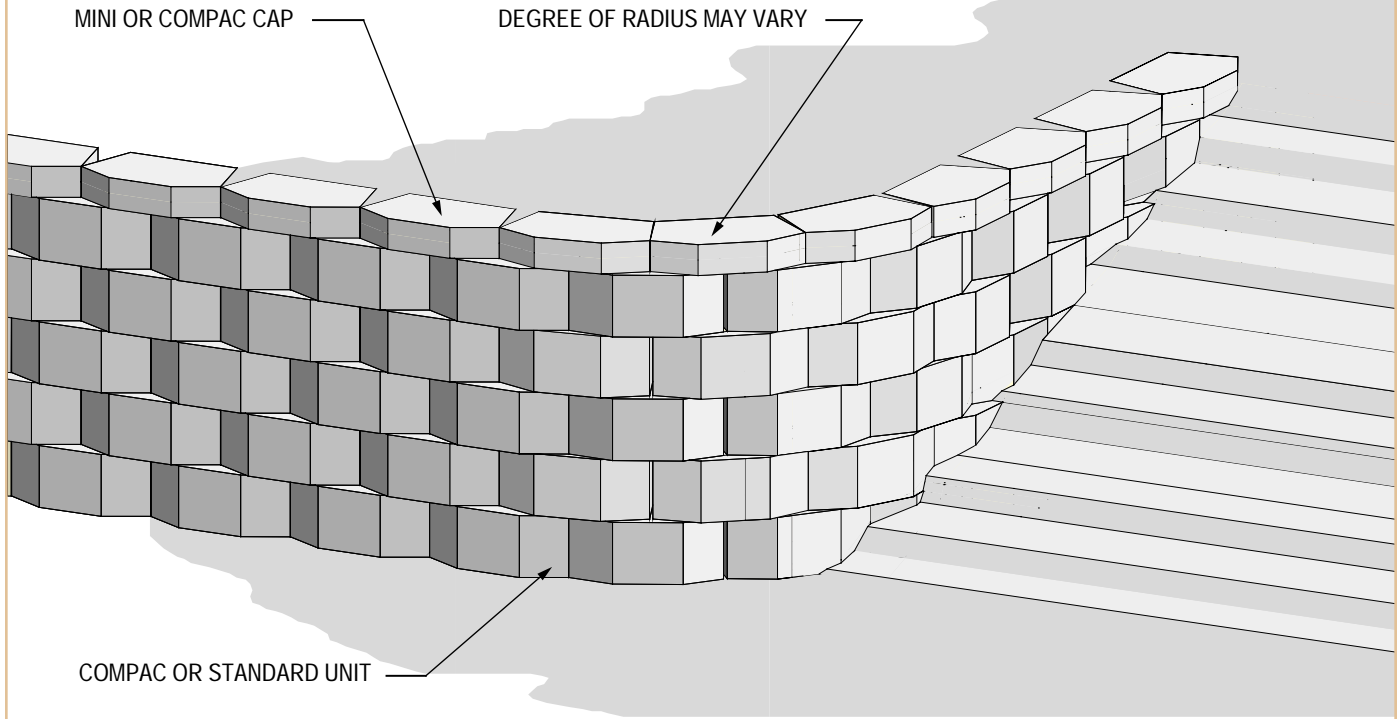


The information contained herein has been compiled by Keystone® Retaining Wall Systems, Inc. and to the best of our knowledge, accurately represents the Keystone product use in the applications which are illustrated. Final determination of the suitability for the use contemplated and its manner of use are the sole responsibility of the user. Structural design and analysis shall be performed by a qualified engineer.
© 1997 KEYSTONE RETAINING WALL SYSTEMS, INC.
Minneapolis, Minnesota • (612) 897-1040 • (612) 897-3858-fax

TOP OF WALL FINISHES

▷ WALL CAP USING KEYSTONE UNITS

▷ RADIUS END INTO EMBANKMENT



▷ RADIUS END AROUND AND STEPPING DOWN EMBANKMENT

